

CABIN DRYER

Instructions Manual

ROTOMOLDED
STAINLESS STEEL



Digital panel scheme (fig. 1)

- A) 0034 = Temperature;
- B) 0040 = Time count down;
- C) RUN = When on, fan is on;
- D) OUT = When on, heater is on;
- E) "P" short touch setup/select options;
- F) Key upwards to increase values;
- G) Key downwards to decrease values;
- H) "F" long touch (over 2 seconds) turns motor on or off.

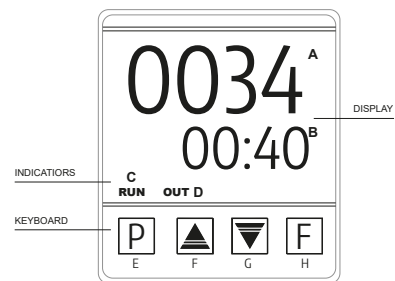


FIG. 1

As temperature and humidity conditions vary according to region we suggest that the dryer is programmed to work at 33°C, keeping the air renovation and regulating damper open in the summer and closed in the winter (Fig. 3). In places where the room temperature is higher than the programmed one, the dryer will tend to operate with the resistance turned off since the temperature sensor which controls the resistance will not allow it to function if the difference between the programmed temperature and the internal temperature of the dryer is less than 2°C.

After washing the animal remove excess water with a towel or blower. Adjust the dryer to work at 32°C for 20 minutes. Place the animal inside the dryer and turn on the dryer.

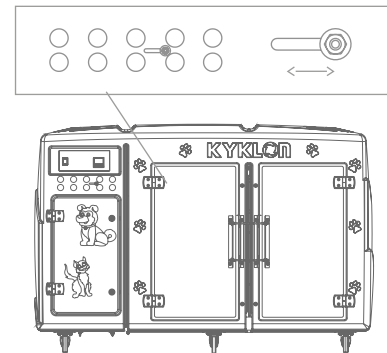


FIG. 2

The drying time depends on factors such as room temperature, air humidity, size of the animal and type of hair. The experience you gain with the daily use of the dryer will help you determine the correct time required for your purposes.

MAINTENANCE

Kyklon® Cabin Dryers do not need maintenance. Just keep air filter and the animal room clean.

We recommend at least one daily hygienic cleaning of the animal compartment.

Do not use products that contain solvents or abrasives, or that might damage stainless steel, painted or plastic surfaces. Clean the dais and partitions using a damp cloth or sponge and soap or disinfectant. Do not use objects such as knives, blades or sharp point tools since they might damage the coating. Do not clean using water jet inside or outside cabin.

WARRANTY (valid only in Brazil)

Kyklon® dryers are guaranteed against manufacturing defects for a period of one (1) year as of effective purchasing date. Excluded from the warranty are: glasses, plastic parts, movable parts that wear out as a natural consequence of the dryer's functioning; paint which is damaged by environment oxidant agents; defects caused by deficient or improper electric installation; use for purposes different from the ones stated in this manual or not complying with manufacturer's directions.

Before calling the Technical Assistance check the following items:

PROBLEM	DIAGNOSIS	SOLUTION
No energy in the panel when the ON/OFF switch is in the ON position.	Power failure. Circuit breaker off. Damaged cord/plug.	Wait for power or. Turn on circuit breaker. Replace cord/plug. Observe wire disposition.
Panel turns on but dryer does not work.	Time has not been adjusted.	Adjust time (time = 0 dryer does not turn on).
Strange noises.	Check if all casters touch evenly the floor.	Put a shim to adjust level.
Doors are difficult to open or to close	Adjust latches.	Check for correct levelling of the floor If necessary put a shim under the caster.
Electric shock when touching the dryer.	No ground wire.	Use three-pin plug and install ground wire.
Cord plug heats up.	Inadequate plug/outlet match.	Replace the outlet.
FOR PETS SAFETY	KEEP AN EYE ON THE	DRYING PETS EVERY 10/15 MINUTS.



WARNING! Do not use this appliance near bathtubs, showers, basins or other vessels containing water.

Product manufactured by
Clippertec Industrial e Comercial Ltda
E-mail: clippertec@clippertec.com.br Site: www.clippertec.com.br

Distributor:
Kainix Limited
138 Gloucester Road, Ocean Down - Mount Maungamui
Bay of Plenty, 3116 - New Zealand