



STAND DRYER

Instructions Manual

5000

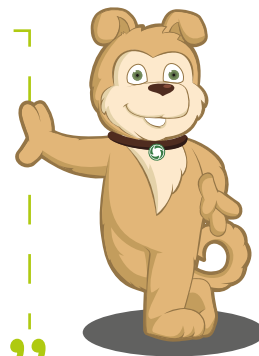
7000

MAESTRO

“

Thank you for purchasing a Kyklon® product. It has been built to your satisfaction. This tool is designed to remove excess water from the hair of the pets. The use of this tool for purposes other than those specified by the manufacturer is forbidden. This manual has been written to help in the use and maintenance of your Kyklon®

Force Dryer. We are sure it will be of great help in your job. To obtain the best results from your Force Dryer read this manual carefully.



CLIP

CUSTOMER RELATIONSHIP



CAUTIONS AND
PRECAUTIONS



QUICK
ASSEMBLY



INSTRUCTIONS
FOR USE



SAFETY AND
MAINTENANCE



PROBLEMS
SOLUTION



WARRANTY



Read the instructions carefully before plugging on the equipment.

→ Do not leave the equipment unattended while it is on. To avoid accidents unplug the equipment whenever it is not in use or the operator leaves the room.

→ If the equipment gets wet or falls into the water do not try to reach it. Unplug it immediately. Do not try to repair it yourself, take it to an authorized service station.

→ The electric outlet should be adequate for the plug.

→ Do not use the equipment if the electricity network is faulty.

→ When moving the dryer, never pull it by the cord.

→ The equipment has been developed to dry animals only. Any other use is prohibited.

→ Do not make adaptations or use devices other than the ones supplied by the manufacturer.

→ Select the right temperature for each task.

→ Keep the air filter (screen) always clean.

→ Do not turn on the dryer without the air filter in place. It does not only prevents animal hair to enter the equipment but it also avoids accidents. Remember that without the filter the rotor compartment is exposed.

→ Do not insert objects in the dryer's holes.

→ Check if your outlet voltage is in accordance with voltage shown in Dryer's label.

→ When the hair dryer is used in a bathroom, unplug it after use since the proximity of water presents a hazard even when the hair dryer is switched off (IEC 60335-2-23).

→ For additional protection, the installation of a residual current device (RCD) having a rated residual operating current not exceeding 30 mA is advisable in the electrical circuit supplying the bathroom. Ask your electrician for advice (IEC 60335-2-23).

→ This machine is not intended for use by persons (including children) with reduced physical, sensory or mental capabilities, or lack of experience and knowledge, unless they have been given supervision or instruction concerning the use of the machine by a person responsible for their safety. Children should be supervised to ensure that they do not use the machine as toy. (IEC 60335-1).

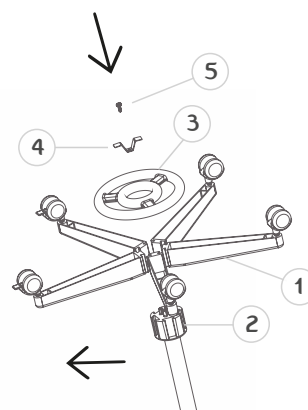
→ If the supply cord is damaged, it must be replaced by the manufacturer or service agent or similarly qualified person in order to avoid risks (IEC 60335-1).

Mounting the Base

Attach the arms with casters (1) in the core (2). With a hammer, gently tap the arms until be fitted inside the core. Place the stabilizer (3) on the core (2), position the clip (4) on the stabilizer and fasten the screw (5) with a Phillips screwdriver.

Usage Instructions The Kyklon® dryer is an efficient tool designed to dry pets hair.

Adjust the selector to the desired temperature and direct air stream to the body of the animal. Start drying top down, that is to say, from the spine to the legs while brushing the animal's hair.



Do not direct air jet to the animals' eyes, ears, nostrils, mouth, genitals, anus, wounds, stitches or any other sensitive part that might cause discomfort to the animal.

The models 7000 and Maestro® are equipped with air flow, temperature and noise adjustment. If you reduce air flow turn switch knob to "I". Do not use temperatures "II" or "III" if air intake is partially closed.

MAINTENANCE

Always make sure the equipment is unplugged when cleaning or doing any maintenance on it.

The Dryer is equipped with a brushless motor.

The level of humidity in the work place, the amount of dust or the use of the dryer with a faulty or dirty air filter will affect the performance of the equipment. Keep the air filter and the equipment always clean in order to enhance its life span.

Keep intake air screen clean from hair and dust to ensure maximum Dryer performance.

Do not use cleaning aerosols or chemicals that might damage the motor or the electrical system. Use a damp cloth for the air output, rubber tip, exhaust and base.

IMPORTANT: Dryers operate in environments with excess of pet hair and other particles which might enter the heating element and damage it. Therefore we suggest to take it to a service station whenever necessary.

HEATING

Kyklon® dryers are equipped with an heating element, provided with cut out switch.

WARRANTY

The Kyklon® dryers models 5000, 7000 and Kyklon® warranty is one year from the date that appears in the purchase receipt. (valid for Brazil only).

The warranty does not include:

- Casters, damage to base and support paint caused by oxidants present in the environment.
- Movable items such as casters and adjusting knobs which wear out as a normal consequence of the operation of the equipment.



WARNING! Do not use this appliance near bathtubs, showers, basins or other vessels containing water.

Product manufactured by
Clippertec Industrial e Comercial Ltda
E-mail: clippertec@clippertec.com.br Site: www.clippertec.com.br

Distributor:
Kainix Limited
138 Gloucester Road, Ocean Down - Mount Maungamui
Bay of Plenty, 3116 - New Zealand